


W/BF
PREPARE.
TRAIN.
EXECUTE.

W/BF BEAVERFIT™

DAM STRONG

 +61 (0) 408 687 816

 scott@beaverfit.com

 www.beaverfit.com

WHO WE ARE

Creator of the world's first fully functional containerised gym, BeaverFit is the leading global manufacturer of outdoor fitness equipment and training solutions. With a commitment to product excellence through cutting edge design and manufacturing processes, BeaverFit create innovative fitness equipment that provides a wide range of human performance training functionalities with industry leading durability for use in any outdoor environment.

Since 2010, BeaverFit has been the leading supplier of container gyms and outdoor fitness solutions to the U.S. and UK militaries, and continues to innovate and enhance both indoor and outdoor facilities for corporations, commercial gyms, universities, sports clubs and individual users.

Our solutions are manufactured to the highest of standards, exceeding all expectations. This methodology is at the heart of what we do, and represents the very foundation of which the company has been built.

"We create what does not yet exist"

*Tom Beaver
Managing Director
BeaverFit Ltd*



CONTAINER GYMS

COMMERCIAL FITNESS EQUIPMENT



THE 5FT PERFORMANCE LOCKER is a Standard Quadcon Shipping Container, custom-fabricated to anchor a BeaverFit training rig and store the equipment necessary to create a world class, multi-functional training facility.

ALL OUR FACILITIES ARE FULLY CUSTOMISABLE WITH UP TO 6 COLOURS FOR POWDER COATING. FOR BESPOKE OPTIONS, WE CAN CUSTOM MIX ANY COLOUR TO FIT YOUR BRAND AESTHETIC.



DETAILS

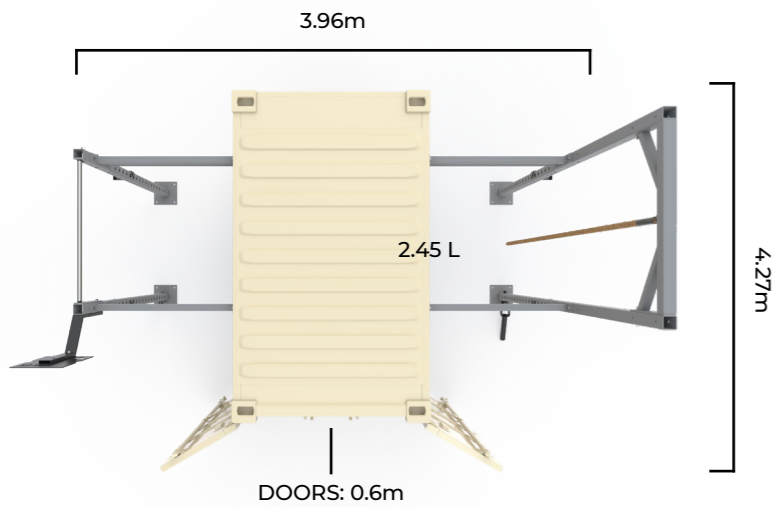
- Standard Branding: BeaverFit Logo And Customer Logos
Ask To See Our Branding Guidelines
- Total Weight Light Version: 1043 kg
- Total Weight Heavy Version: 1361 kg
- Full Delivery + Installation Service Available

KEY BENEFITS

- Multiple Users
- Quick + Easy Set-Up
- Low-Maintenance
- Ultra-Stable Patented Design
- Relocatable
- Superior Weatherproofing
- Free Standing With Adjustable Footpads

INTEGRATED STORAGE

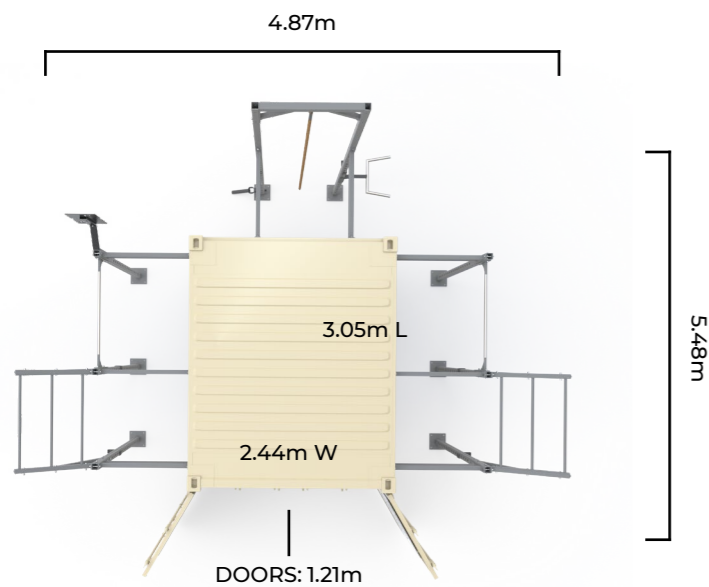
- Vertical Plate Storage
- Push-Pop Inner
- Barbell Storage
- Shelf + Rig Storage



The BeaverFit Performance Locker is a patented product. All other trademarks referenced are trademarks of their respective owners.

THE 10FT PERFORMANCE LOCKER is a Standard Bicon Shipping Container, custom-fabricated to anchor a BeaverFit Training Rig and store the equipment necessary to create a world class, multi-functional training facility.

ALL OUR FACILITIES ARE FULLY CUSTOMISABLE WITH UP TO 6 COLOURS FOR POWDER COATING. FOR BESPOKE OPTIONS, WE CAN CUSTOM MIX ANY COLOUR TO FIT YOUR BRAND AESTHETIC.



DETAILS

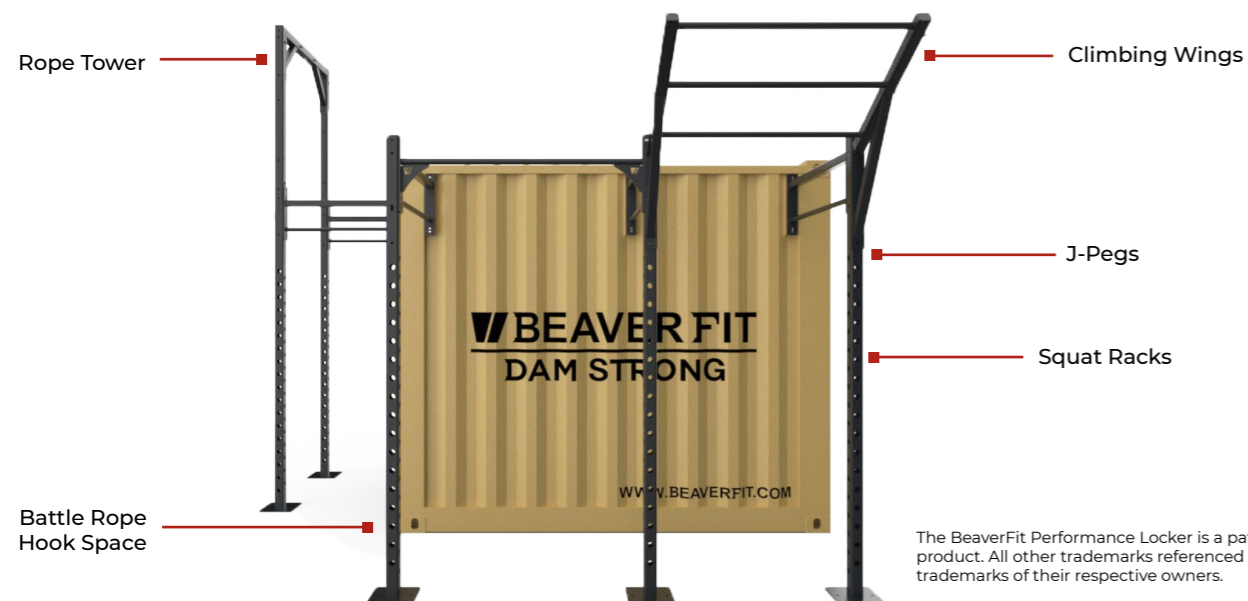
- Standard Branding: BeaverFit Logo And Customer Logos
Ask To See Our Branding Guidelines
- Total Weight Light Version: 2948 kg
- Total Weight Heavy Version: 3628 kg
- Free Standing
- Full Delivery And Installation Service Available

KEY BENEFITS

- Multiple Users
- Integrated + Lockable Storage
- Superior Weatherproofing
- Custom Colours + Branding Available
- Ultra-Stable Patented Design
- Quick Installation Process

INTEGRATED STORAGE

- Vertical Plate Storage
- Push-Pop Inner
- Barbell Storage
- Shelf + Rig Storage



The BeaverFit Performance Locker is a patented product. All other trademarks referenced are trademarks of their respective owners.



THE 20FT PERFORMANCE LOCKER is a Standard ISO Shipping Container, custom-fabricated to anchor a BeaverFit Training Rig that is able to store the equipment necessary to create a world-class, multi-functional training facility.

ALL OUR FACILITIES ARE FULLY CUSTOMISABLE IN BOTH SIZE AND SCALE TO SUIT YOU AND YOUR REQUIREMENTS. OUR CONTAINERS RANGE IN SIZE, STARTING FROM 5FT AND SCALING UP TO 40FT+.



DETAILS

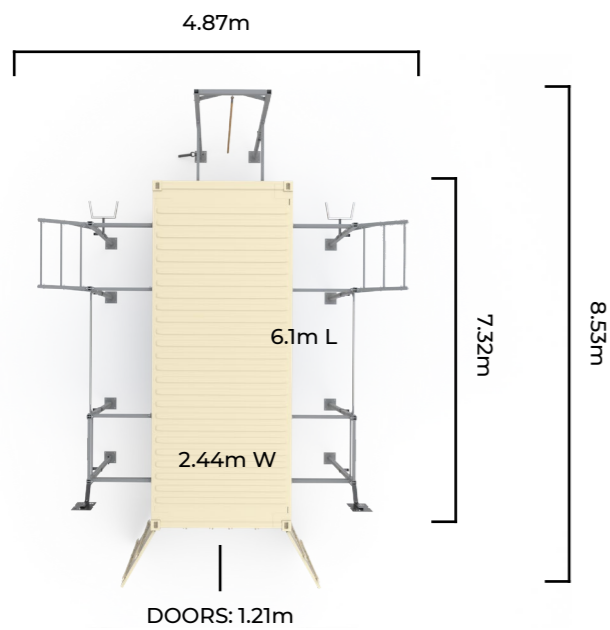
- Standard Branding: BeaverFit Logo And Customer Logos
Ask To See Our Branding Guidelines
- Total Weight Light Version: 4649 kg
- Total Weight Heavy Version: 5670 kg
- Full Delivery And Installation Service Available

KEY BENEFITS

- Group Training Opportunities
- Free Standing
- Integrated + Lockable Storage
- Superior Weatherproofing
- Custom Branding Available
- Ultra-Stable Patented Design
- Quick Installation Process

INTEGRATED STORAGE

- Vertical Plate Storage
- Push-Pop Inner
- Barbell Storage
- Shelf + Rig Storage



The BeaverFit Performance Locker is a patented product. All other trademarks referenced are trademarks of their respective owners.





ARM FITNESS

BEAVERFIT

FARMFITNESS

FARMFITNESS

POWERED BY BEAVERFIT
DAM STRONG

HARVEST THE G...

PH...

MAK... N...

WHEELS
ST-05N
BEAVERFIT

THE SHRED SHED is a patented, integrated multi-use storage container. It is custom-fabricated to anchor a BeaverFit Training Rig and store the equipment necessary to create a world class, multi-functional training facility.

ALL OUR FACILITIES ARE FULLY CUSTOMISABLE WITH UP TO 6 COLOURS FOR POWDER COATING. FOR BESPOKE OPTIONS, WE CAN CUSTOM MIX ANY COLOUR TO FIT YOUR BRAND AESTHETIC.



DETAILS

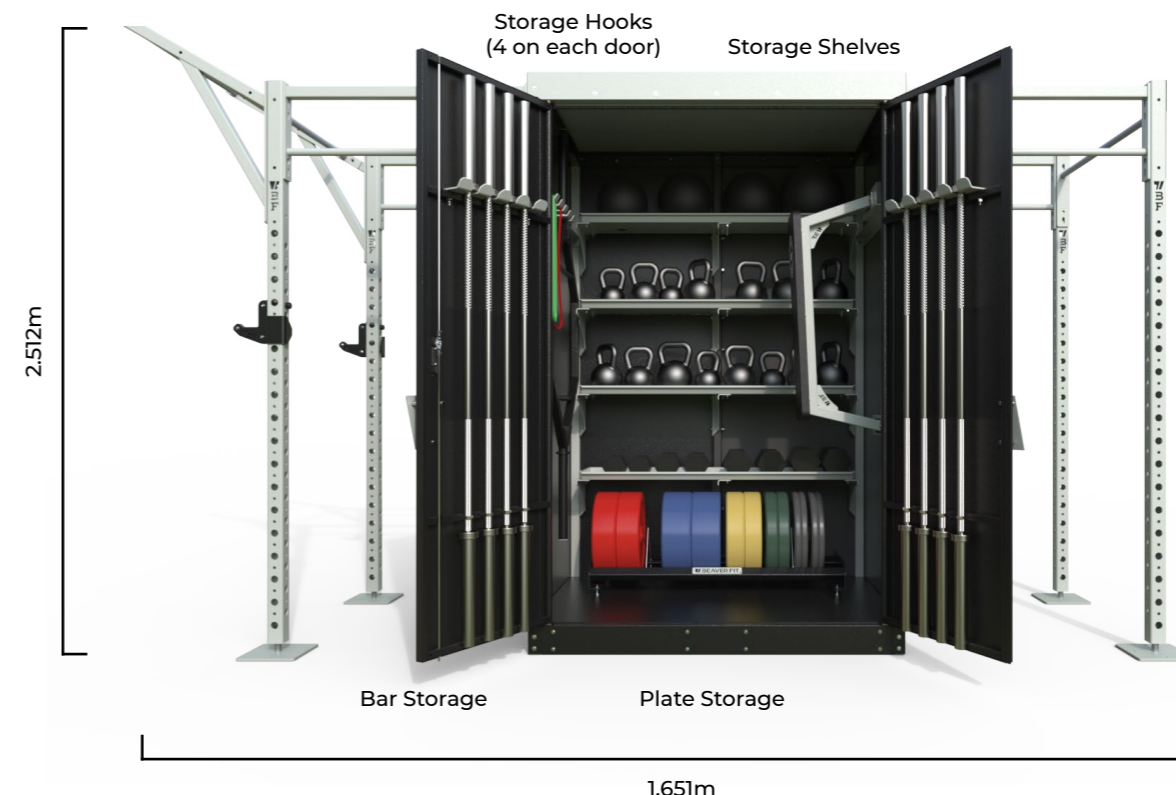
- Standard Branding: BeaverFit Logo On Back And Customer Logos On Sides
Ask To See Our Branding Guidelines
- Freestanding Full Offload + Installation Included
- Forklift Pockets
- 2 Point Locking System Secured With Padlock

KEY BENEFITS

- Multiple Users
- Quick + Easy Set Up
- Integrated + Lockable Storage
- Superior Weatherproofing
- Ultra-Stable Design
- Custom Colours Available

INTEGRATED STORAGE

- Bumper Plate Shelf
- Barbell Storage
- Storage Shelf
- Adjustable Bench Storage



The BeaverFit Shred Shed is a patented product. All other trademarks referenced are trademarks of their respective owners.



CLICK HERE TO SEE THE SHRED SHED IN ACTION

COMMERCIAL FITNESS EQUIPMENT

THE BEAVERFIT SHELTER SOLUTIONS offer a wide range of enhancements to your Performance Lockers. These overhead or enclosed shade and shelter structures are designed to improve your Performance Lockers or existing outdoor training areas. BeaverFit Shelter Solutions are custom-fabricated to anchor a BeaverFit training rig and store the equipment necessary to create a world-class, multi-modular training facility.

ALL OUR FACILITIES ARE FULLY CUSTOMISABLE IN BOTH SIZE AND SCALE TO SUIT YOU AND YOUR REQUIREMENTS.



DETAILS

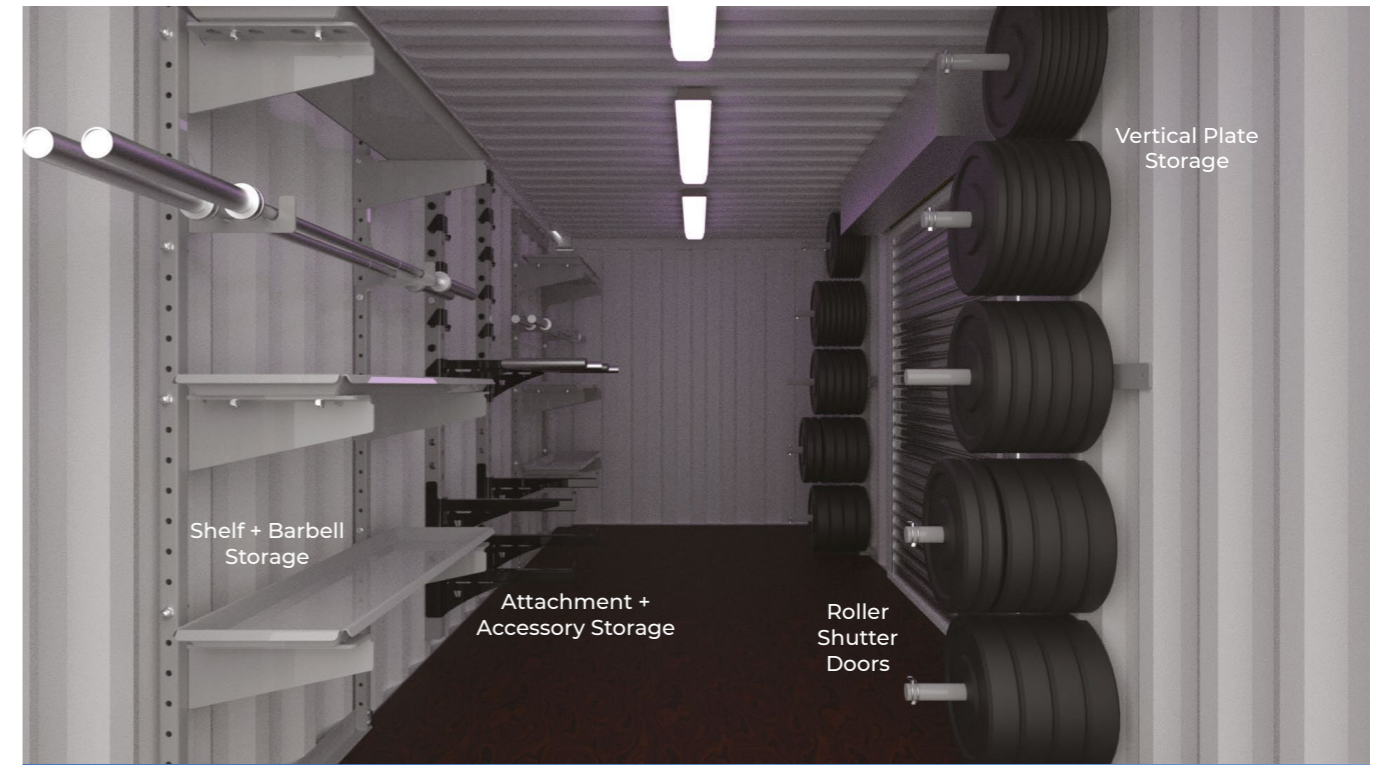
- Semi-Permanent + Fully Relocatable
- Custom Colours + Branding Available
- Quick Install And Delivery Time

KEY BENEFITS

- Multiple Users
- Overhead Or Enclosed Canopy
- Stable Infrastructure
- Integrated + Lockable Storage
- Superior Weatherproofing + Protection From The Elements

INTEGRATED STORAGE

- Vertical Plate Storage
- Push-Pop Inner
- Barbell Storage
- Shelf + Rig Storage



COMMERCIAL FITNESS EQUIPMENT

THE BEAVERFIT STRENGTH AND CONDITIONING SHELTER is constructed of four 40ft standard shipping containers and an extra-large canopy. The BeaverFit S+C Shelter is custom-fabricated to anchor a BeaverFit training rig and store the equipment necessary to create a world-class, multi-modular training facility.

ALL OUR FACILITIES ARE FULLY CUSTOMISABLE IN BOTH SIZE AND SCALE TO SUIT YOU AND YOUR REQUIREMENTS.



DETAILS

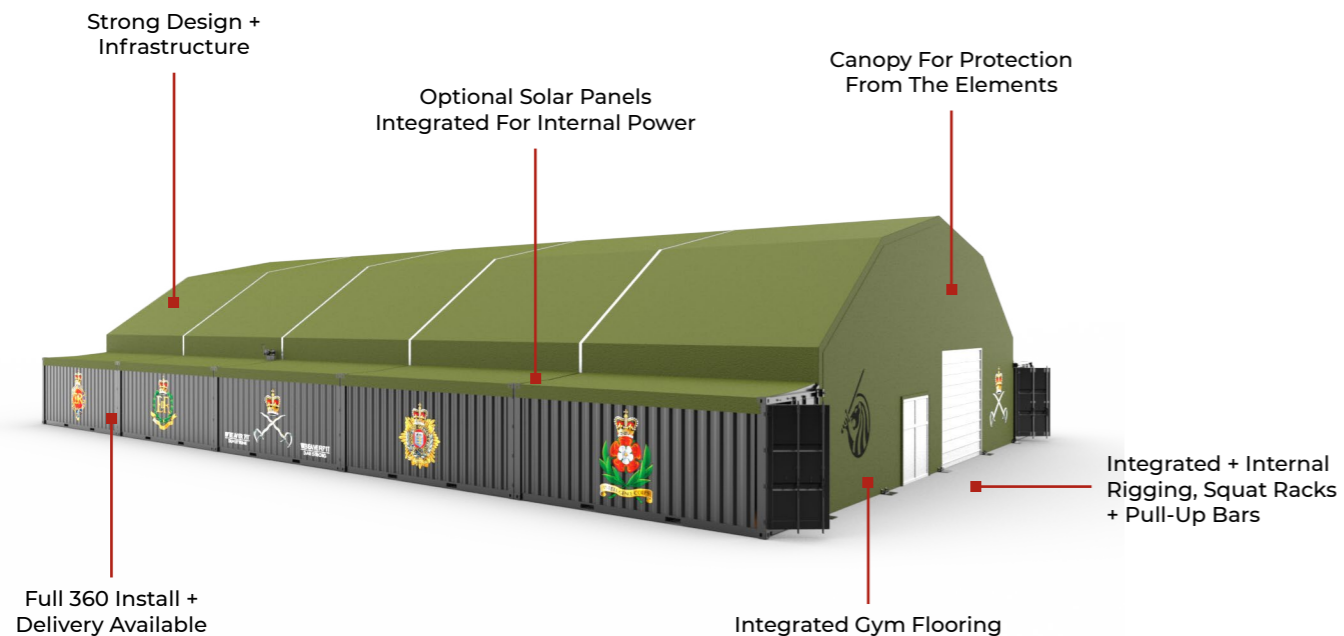
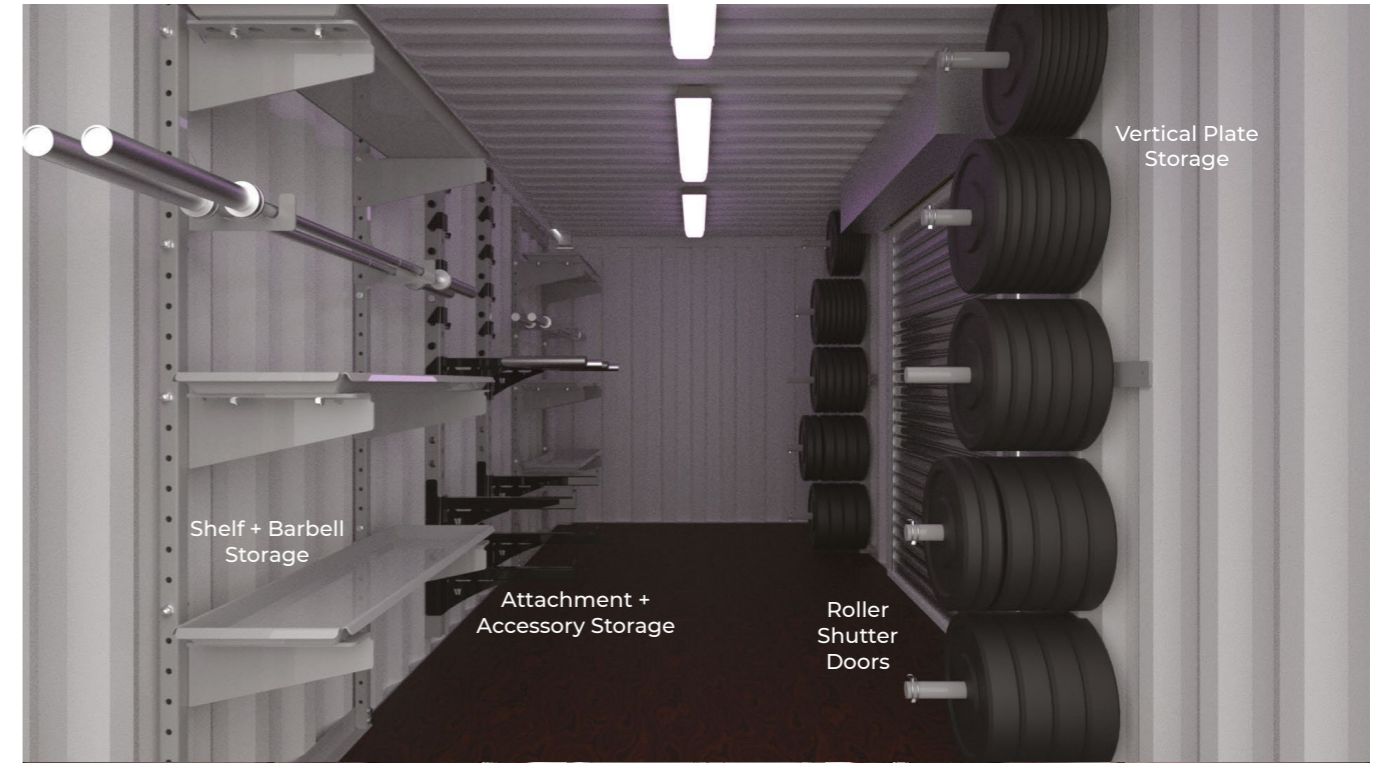
- Semi-Permanent + Fully Relocatable
- Custom Colours + Branding Available
- Quick Install And Delivery Time

KEY BENEFITS

- Multiple Users
- Overhead Or Enclosed Canopy
- Stable Infrastructure
- Integrated + Lockable Storage
- Superior Weatherproofing + Protection From The Elements

INTEGRATED STORAGE

- Vertical Plate Storage
- Push-Pop Inner
- Barbell Storage
- Shelf + Rig Storage



BESPOKE OUTDOOR 20FT
PERFORMANCE LOCKER



CLIENT: WHO DARES GYMS
DESIGN: 3 WEEKS | MANUFACTURE: 8 WEEKS | DELIVERY + INSTALL: 1 WEEK

- ✓ ISO CONTAINER SOLUTION
- ✓ MET AND EXCEEDED ALL CLIENT REQUIREMENTS
- ✓ EASY TO RELOCATE
- ✓ BEAVERFIT PATENTED MANUFACTURING
- ✓ INTERNAL STORAGE
- ✓ 5MM STEEL RIGGING
- ✓ GALVANISED + WEATHERPROOFED



CLICK HERE TO SEE
THE FULL SOLUTION



BeaverFit originated from a family of Steel Fabricators, specialising in the industry since 1947.



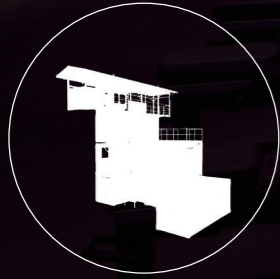
In 2006, Tom Beaver built a robust and innovative rig to train for the Arch challenge, made entirely from materials used by the family business.



Tom Beaver successfully introduced his product of excellence to the military. Thus, the birth of BeaverFit and further development of innovative products and fitness solutions - dominating the industry since 2010.



Co-founders, Tom and Jim Beaver further developed the product line to introduce the worlds first ever container gym solution - the FOB Locker. Since 2012, over 500 of these solutions have been deployed around the UK and Europe.



In 2015, the industry saw the introduction of BeaverFit Special Operations Equipment (SOE), a sister company to BeaverFit Ltd, supplying sought after and unique Special Operations Equipment, from Training Towers through to Live Fire Shoot Houses.



BeaverFit UK joined forces with two veterans from the USA, forming our sister company BeaverFit North America LLC and imminently winning their first contract with the U.S Marine Corps to supply 300 FOB Lockers.



**12+ YEARS
IN BUSINESS**

BeaverFit is a world leader in the design, manufacture and distribution of training equipment. With over 12 years in business and a proven track record of product testing by the world's most influential corporations and elite military units.



**MADE IN
AUSTRALIA**

Using our partner on the Gold Coast, we manufacture solutions to the highest of standards, exceeding all expectations.



**30+
INNOVATIVE
SOLUTIONS**

Consisting of Lockers, Rigs, Racks and Strength Equipment, our Human Performance Range is world-class in nature, manufactured predominantly with 5mm steel.



**PATENTED
PRODUCTS**

This allows us to create products and solutions with the highest level of excellence, that are not available from any other supplier, so you know you are receiving the best product possible.

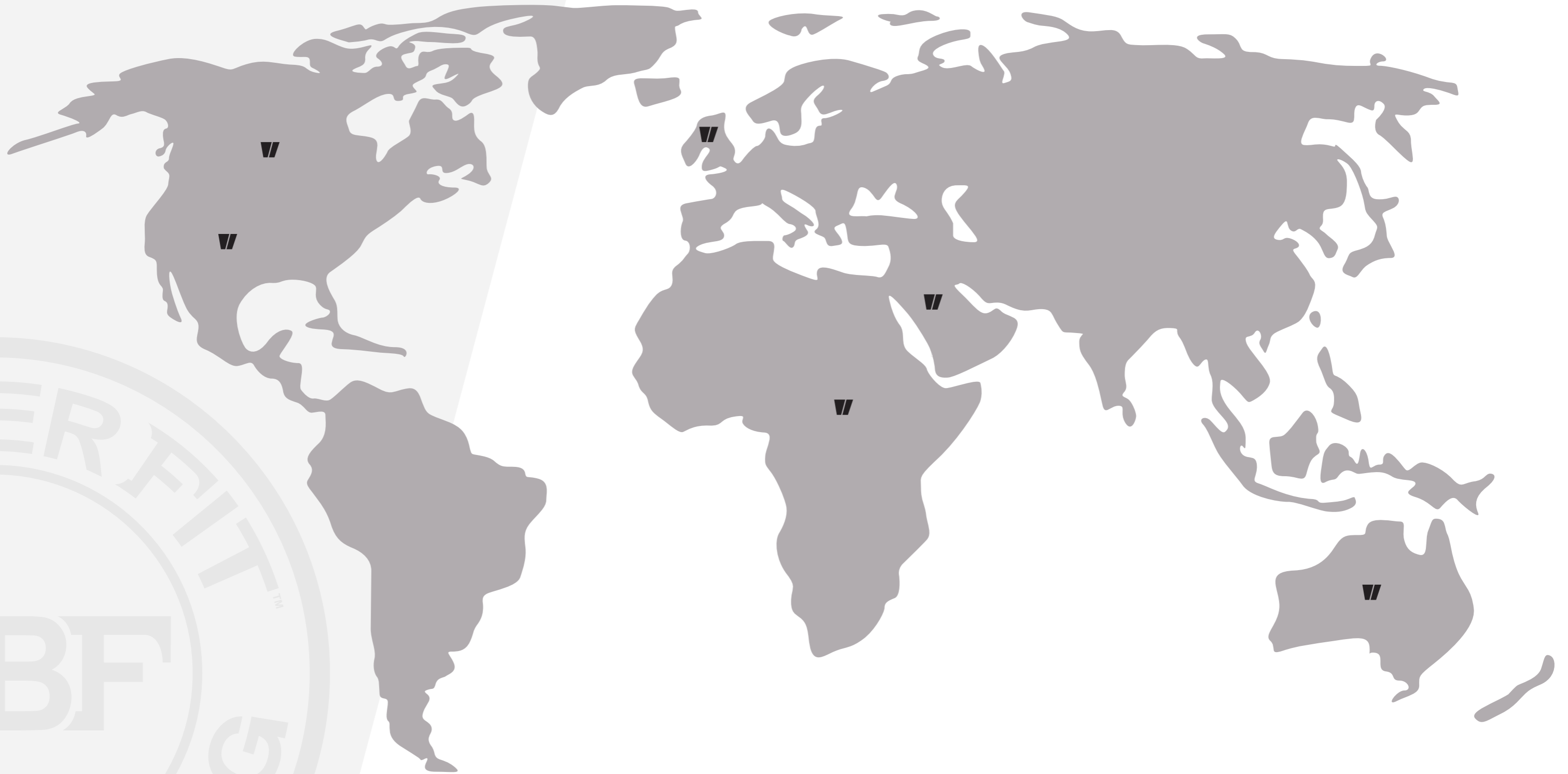


**10,000+
FACILITIES
DELIVERED**

With over 10,000 solutions delivered globally, we have a proven track record of expertly delivered projects, that have exceeded expectations from start to finish.

OUR GLOBAL OPERATION

▮ PROJECT LOCATIONS



NICK VAY - USA

E: nick.vay@beaverfitusa.com

T: (858) 449-9810

CHRIS PIKE - UK

E: chris@beaverfit.com

T: +44 (0) 1694 751 265

JOHN OWEN - UK

E: john@beaverfit.com

T: +44 (0) 1694 751 265

SCOTT FLINT - AUS

E: scott@beaverfit.com

T: +61 (0) 408 687 816





BEAVERFIT™

DAM STRONG

 +61 (0) 408 687 816

 scott@beaverfit.com

 www.beaverfit.com